



# FF-4000 Series Free Float and Thermostatic Steam Trap

All Stainless Steel

For Pressures to 250 psig (17 bar)... Capacities to 1,050 lb/hr (476 kg/hr)

Steam Trapping and Steam Tracing Equipment

## Description

With the FF-4000 Series' 360° universal connector, you can install a free float and thermostatic trap to fit any piping configuration. You get the reliability of the free float and thermostatic design plus all the benefits of all-stainless steel construction.

- A sealed, tamperproof package
- A compact, lightweight trap
- Exceptional corrosion resistance
- A three-year guarantee against defective materials and workmanship

FF-4000 Series Free Float and Thermostatic steam traps combine savings in three important areas: energy, installation and replacement. Mounting the FF-4000 on universal connectors provide quick and easy in-line replacement.

## Maximum Operating Conditions

Maximum allowable pressure (vessel design):

Model FF-4250	300 psig @ 650°F (20.7 bar @ 343°C)
Model FF-4450	600 psig @ 800°F (41.4 bar @ 427°C)

Maximum operating pressure:

Model FF-4250	250 psig @ 650°F (17 bar @ 343°C)
Model FF-4450	450 psig @ 800°F (31 bar @ 427°C)

## Materials

Body:	ASTM A240 Grade 304L
Internals:	All stainless steel-304
Ball seat:	Stainless Steel
Float:	Stainless Steel
Air Vent:	Bimetal

## 360° Universal Connector Styles

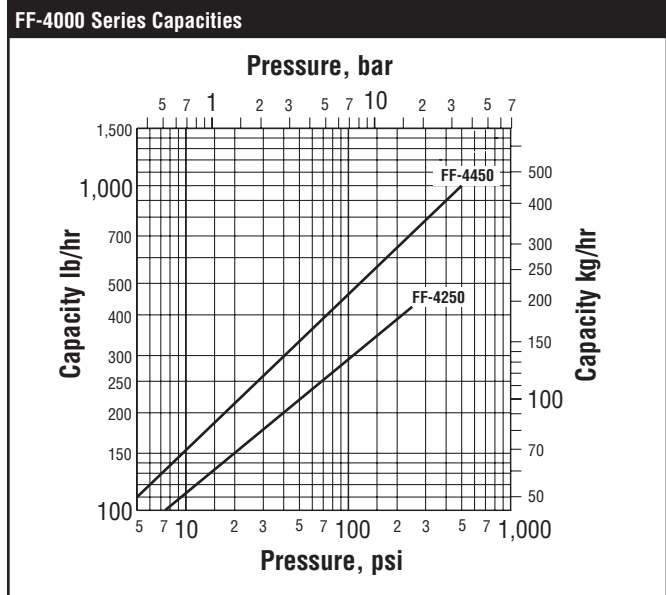
- Standard 2-bolt connector
- IS-2 connector with integral strainer and optional blowdown valve
- Trap Valve Station

## How to order

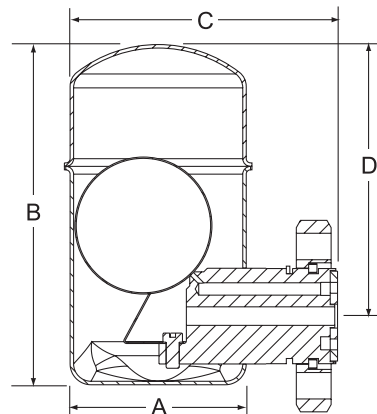
- Specify model number
- Size and type of pipe connection, style of 360° universal connector.



FF-4250 with TVS-4000



FF-4000 Series				
Model No.	FF-4250		FF-4450	
Pipe Connection	1/2, 3/4	15, 20	1/2, 3/4	15, 20
	in	mm	in	mm
"A" Diameter	2-11/16	68	3-7/8	98
"B" Height	4-7/8	124	6-3/16	157
"C" Outside to Flange"D"	3-7/8	98	4-15/16	125
"D" C Flange to Top	4	102	4-15/16	125
Trap Only Weight, lb (kg)	2 (0.9)		4 (1.8)	



Designs, materials, weights and performance ratings are approximate and subject to change without notice. Visit [www.armstronginternational.com](http://www.armstronginternational.com) for up-to-date information.